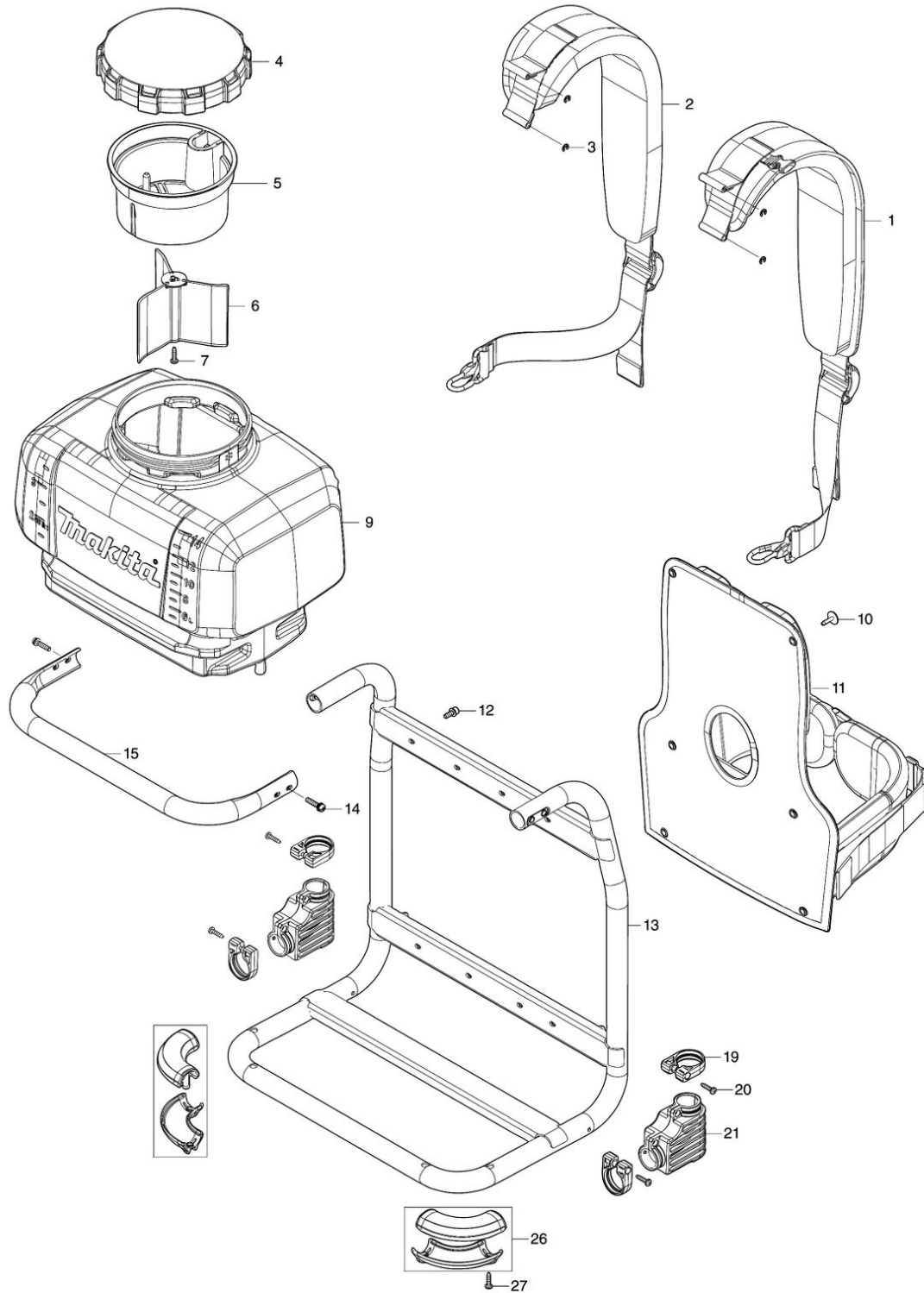


Model No.PM001G CORDLESS BACKPACK MIST BLOWER

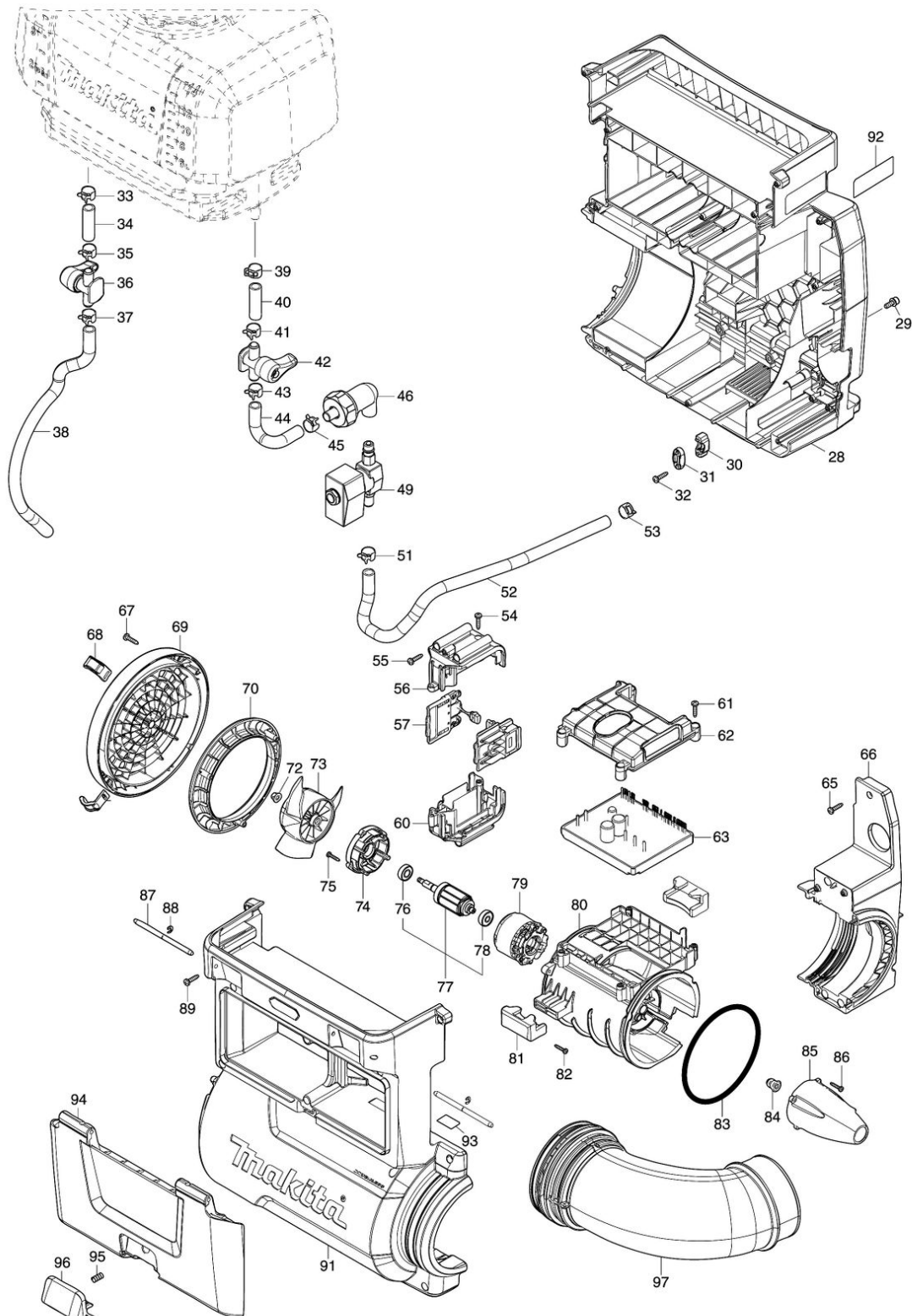


| Nr. | Part nr. | Name |
|--------|----------|-------------------------------|
| 001 | 162C47-1 | Band R PM001G |
| 002 | 162C46-3 | Band L PM001G |
| 003 | 961011-9 | Stopring E-4 |
| 004 | 141764-8 | Tank cpl PM001G |
| 005 | 413M64-7 | Tankzeef PM001G |
| 006 | 413M65-5 | Vin PM001G |
| 007 | 266326-2 | Tap Schroef 4X18mm P |
| 009 | 136980-5 | Tank assy PM001G |
| 009C10 | 422978-1 | Klepcontroller PM001G |
| 009C20 | 256A28-4 | Stang 5 UB002C |
| 010 | 252274-1 | Tapschroef 4x18mm PDC1200 |
| 011 | 162B58-0 | Stootkussen UB002C |
| 012 | 922218-2 | Inbusbout Ck M5X14Mm DCU180 P |
| 013 | 327A95-7 | Buizenframe A PM001G |
| 014 | 265A08-9 | Schroef M5x20mm PM001G |
| 015 | 327A96-5 | Buizenframe B PM001G |
| 019 | 413K11-6 | Rubber klem UB002C |
| 020 | 266326-2 | Tap Schroef 4X18mm P |
| 021 | 422977-3 | Voet rubber PM001G |
| 026 | 183X85-6 | Behuizingset PM001G |
| 027 | 266326-2 | Tap Schroef 4X18mm P |
| 028 | 141M69-4 | Onderhuis cpl B PM001G |
| 028C10 | 8066X9-2 | Waarschuwingslabel PM001G |
| 029 | 922218-2 | Inbusbout Ck M5X14Mm DCU180 P |
| 030 | 687051-6 | Klemstrip * |
| 031 | 687124-5 | Klemstrip 9555Nb/Bo3711 A |
| 032 | 266326-2 | Tap Schroef 4X18mm P |
| 033 | 282023-2 | Slangklem 14Mm Sp7650.4R |
| 034 | 422981-2 | Slang 10x45mm PM001G |
| 035 | 282023-2 | Slangklem 14Mm Sp7650.4R |
| 036 | 122D52-6 | Kraan assy A PM001G |
| 036C10 | 266326-2 | Tap Schroef 4X18mm P |
| 036C20 | 457675-0 | Kraanhendel PM7651H |
| 037 | 282023-2 | Slangklem 14Mm Sp7650.4R |
| 038 | 422982-0 | Slang 10x370mm PM001G |
| 039 | 282023-2 | Slangklem 14Mm Sp7650.4R |
| 040 | 422981-2 | Slang 10x45mm PM001G |
| 041 | 282023-2 | Slangklem 14Mm Sp7650.4R |
| 042 | 122D52-6 | Kraan assy A PM001G |
| 042C10 | 266326-2 | Tap Schroef 4X18mm P |
| 042C20 | 457675-0 | Kraanhendel PM7651H |
| 043 | 282023-2 | Slangklem 14Mm Sp7650.4R |
| 044 | 422980-4 | Slang 10x100mm PM001G |
| 045 | 282023-2 | Slangklem 14Mm Sp7650.4R |
| 046 | 122E16-6 | Kniestuk PM001G |
| 046C10 | 413M62-1 | Filter PM001G |

| Nr. | Part nr. | Name |
|--------|----------|----------------------------|
| 049 | 136985-5 | Klep PM001G |
| 049C10 | 213063-9 | O-Ring 10 (1,7Mm) |
| 051 | 282023-2 | Slangklem 14Mm Sp7650.4R |
| 052 | 422983-8 | Slang 10X500Mm PM001G |
| 053 | 282023-2 | Slangklem 14Mm Sp7650.4R |
| 054 | 266326-2 | Tap Schroef 4X18mm P |
| 055 | 266326-2 | Tap Schroef 4X18mm P |
| 056 | 183Y74-7 | Batterijhuisset PM001G |
| 056C10 | 263005-3 | Rubber Pen 6 AC320H P |
| 057 | 632P65-6 | Controleunit GA-40V serie |
| 060 | 183Y74-7 | Batterijhuisset PM001G |
| 060C10 | 263005-3 | Rubber Pen 6 AC320H P |
| 061 | 266326-2 | Tap Schroef 4X18mm P |
| 062 | 413M52-4 | Controllerhuis PM001G |
| 063 | 620K75-5 | Controller PM001G |
| 065 | 266326-2 | Tap Schroef 4X18mm P |
| 066 | 413M43-5 | Kniehouder PM001G |
| 067 | 266326-2 | Tap Schroef 4X18mm P |
| 068 | 413M58-2 | Klem PM001G |
| 069 | 413G61-7 | Achterkap UB002C |
| 070 | 413G72-2 | Waaiergeleider UB002C |
| 072 | 252286-4 | Moer M5X8mm DUB184 |
| 073 | 240177-1 | Waaier 110Mm Dub362 A |
| 074 | 413G67-5 | Motorhuiskap UB002C |
| 075 | 266130-9 | Tapschroef 3X16 A |
| 076 | 210040-2 | Kogellager 698LLu |
| 077 | 519639-3 | Anker UB001C |
| 078 | 210022-4 | KOGELLAGER 626DDW |
| 079 | 629C09-7 | Veld PM001G |
| 095 | 231240-1 | Drukveer 7 |
| 095 | 413M44-3 | Motorhuis PM001G |
| 096 | 413M55-8 | Vastzethendel PM001G |
| 096 | 422877-7 | Stootkussen UB002C |
| 097 | 266130-9 | Tapschroef 3X16 A |
| 097 | 413M51-6 | Bocht PM001G |
| 099 | 183X87-2 | Gashendel Assy PM001G |
| 099 | 424721-4 | Pakkingring 115Mm Dub362 |
| 099C10 | 252103-8 | Zeskant Borgmoer M5X8 A |
| 099C10 | 422879-3 | Doorvoer UB002C |
| 104 | 265C61-7 | Vleugelbout M5x35mm UB002C |
| 104 | 413G64-1 | Afdekkap UB002C |
| 105 | 266130-9 | Tapschroef 3X16 A |
| 105 | 620L36-1 | Circuit cpl PM001G |
| 106 | 256938-9 | As 5mm PM001G |
| 106 | 620L35-3 | Schakelcircuit PM001G |
| 106C10 | 136982-1 | Schakelplaat PM001G |

| Nr. | Part nr. | Name |
|--------|----------|-------------------------------|
| 106C10 | 961011-9 | Stopring E-4 |
| 106C20 | 266326-2 | Tap Schroef 4X18mm P |
| 106C20 | 266490-9 | Parker Ck 2X6Mm DDF483 P |
| 107 | 136912-2 | Bovenhuis PM001G |
| 107 | 651492-2 | Schakelaar UR002/3G |
| 108 | 413G68-3 | Schakelhendel UB002C |
| 108 | 8030S0-0 | Label XGT UB001G |
| 109 | 687260-7 | Klemstrip 4350T |
| 109 | 8587F3-0 | Naamplaat PM001G |
| 110 | 266326-2 | Tap Schroef 4X18mm P |
| 110 | 8587G1-1 | Label serienr. PM001G |
| 111 | 183X87-2 | Gashendel Assy PM001G |
| 111 | 413M54-0 | Voorhuis blk DCL283F, DCL284F |
| 111C10 | 252103-8 | Zeskant Borgmoer M5X8 A |
| 112 | 266326-2 | Tap Schroef 4X18mm P |
| 113 | 699220-7 | Kabelset PM001G |
| 114 | 162B56-4 | Schakelpijp UB002C |
| 115 | 281040-9 | Slangklem 110mm PM001G |
| 116 | 413M50-8 | Flexibelepijp 100 PM001G |
| 117 | 122F35-8 | Slangklem 110mm PM001G |
| 118 | 266007-8 | Tapschroef Pt3X10 A |
| 119 | 453505-3 | Afdekkap Sp7650 |
| 120 | 213686-3 | O-Ring 12Mm Sp7650 |
| 121 | 268288-0 | Pin 5.5Mm Sp7650 |
| 122 | 234244-2 | Drukveer 3Mm Sp7650 |
| 123 | 282023-2 | Slangklem 14Mm Sp7650.4R |
| 124 | 422984-6 | Slang 10X750Mm PM001G |
| 125 | 282023-2 | Slangklem 14Mm Sp7650.4R |
| 126 | 122D53-4 | Kraan assy B PM001G |
| 126C10 | 266326-2 | Tap Schroef 4X18mm P |
| 126C20 | 457675-0 | Kraanhendel PM7651H |
| 127 | 413M66-3 | Adapter |
| 128 | 266045-0 | Tapschroef Pt4X20 A |
| 129 | 213437-4 | O-Ring 28 |
| 130 | 413M59-0 | Bus 23mm PM001G |
| 131 | 327A93-1 | Spuitmond 4,5mm |
| 132 | 213647-3 | O-Ring 9Mm Sp7650* |
| 133 | 141M72-5 | Spuitmond adapter |
| 133C10 | 898280-8 | Label indicatie PM001G |
| 134 | 911228-4 | Schroef 5X20 |
| 135 | 281040-9 | Slangklem 110mm PM001G |
| 136 | 632L49-0 | Schakelaar DUC254Z |
| 137 | 233101-1 | Drukveer 4 |
| 138 | 413M49-3 | Schakelknop PM001G |
| 139 | 162B60-3 | Klemring B UB002C |

Model No.PM001G CORDLESS BACKPACK MIST BLOWER

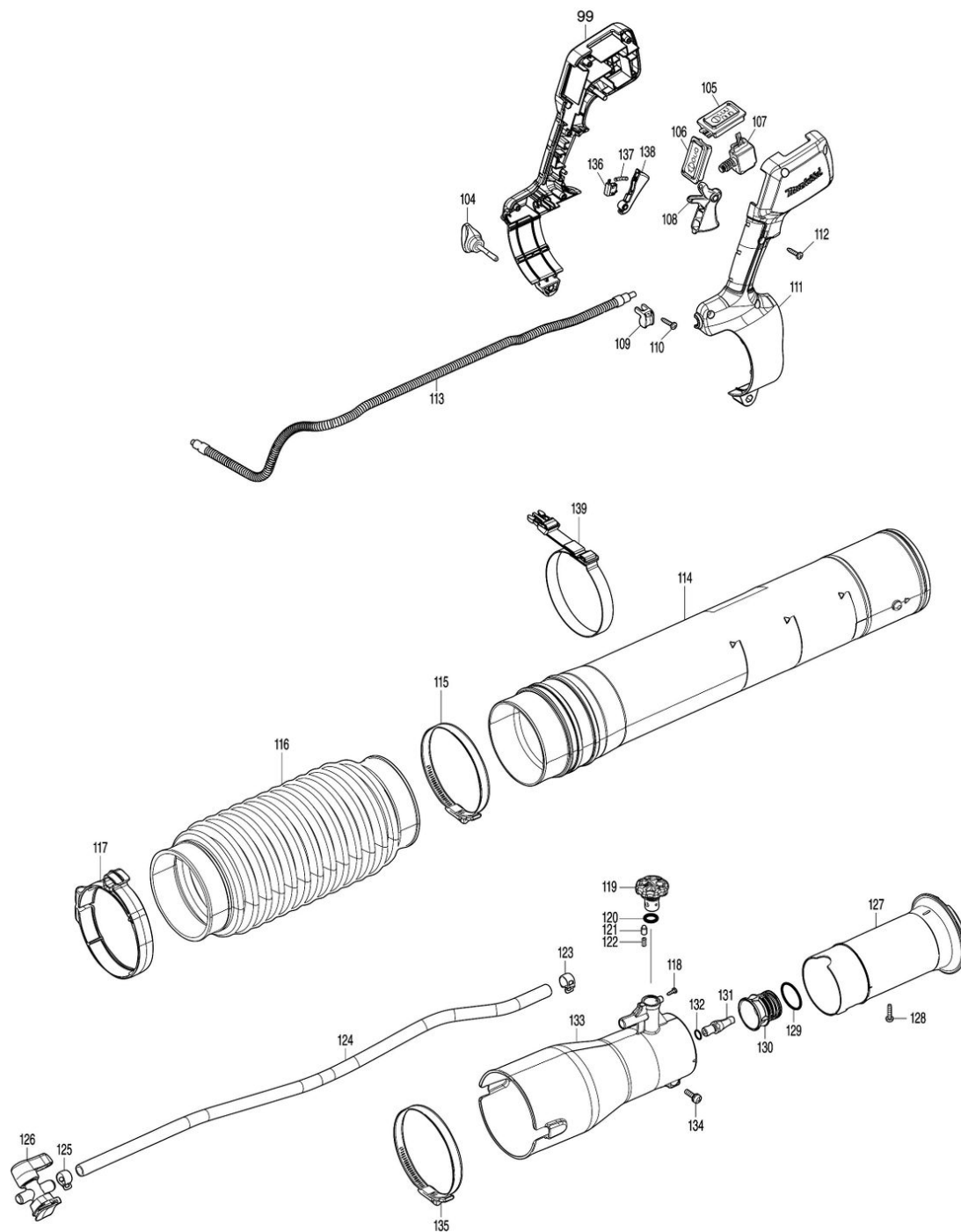


| Nr. | Part nr. | Name |
|--------|----------|-------------------------------|
| 001 | 162C47-1 | Band R PM001G |
| 002 | 162C46-3 | Band L PM001G |
| 003 | 961011-9 | Stopring E-4 |
| 004 | 141764-8 | Tank cpl PM001G |
| 005 | 413M64-7 | Tankzeef PM001G |
| 006 | 413M65-5 | Vin PM001G |
| 007 | 266326-2 | Tap Schroef 4X18mm P |
| 009 | 136980-5 | Tank assy PM001G |
| 009C10 | 422978-1 | Klepcontroller PM001G |
| 009C20 | 256A28-4 | Stang 5 UB002C |
| 010 | 252274-1 | Tapschroef 4x18mm PDC1200 |
| 011 | 162B58-0 | Stootkussen UB002C |
| 012 | 922218-2 | Inbusbout Ck M5X14Mm DCU180 P |
| 013 | 327A95-7 | Buizenframe A PM001G |
| 014 | 265A08-9 | Schroef M5x20mm PM001G |
| 015 | 327A96-5 | Buizenframe B PM001G |
| 019 | 413K11-6 | Rubber klem UB002C |
| 020 | 266326-2 | Tap Schroef 4X18mm P |
| 021 | 422977-3 | Voet rubber PM001G |
| 026 | 183X85-6 | Behuizingset PM001G |
| 027 | 266326-2 | Tap Schroef 4X18mm P |
| 028 | 141M69-4 | Onderhuis cpl B PM001G |
| 028C10 | 8066X9-2 | Waarschuwingslabel PM001G |
| 029 | 922218-2 | Inbusbout Ck M5X14Mm DCU180 P |
| 030 | 687051-6 | Klemstrip * |
| 031 | 687124-5 | Klemstrip 9555Nb/Bo3711 A |
| 032 | 266326-2 | Tap Schroef 4X18mm P |
| 033 | 282023-2 | Slangklem 14Mm Sp7650.4R |
| 034 | 422981-2 | Slang 10x45mm PM001G |
| 035 | 282023-2 | Slangklem 14Mm Sp7650.4R |
| 036 | 122D52-6 | Kraan assy A PM001G |
| 036C10 | 266326-2 | Tap Schroef 4X18mm P |
| 036C20 | 457675-0 | Kraanhendel PM7651H |
| 037 | 282023-2 | Slangklem 14Mm Sp7650.4R |
| 038 | 422982-0 | Slang 10x370mm PM001G |
| 039 | 282023-2 | Slangklem 14Mm Sp7650.4R |
| 040 | 422981-2 | Slang 10x45mm PM001G |
| 041 | 282023-2 | Slangklem 14Mm Sp7650.4R |
| 042 | 122D52-6 | Kraan assy A PM001G |
| 042C10 | 266326-2 | Tap Schroef 4X18mm P |
| 042C20 | 457675-0 | Kraanhendel PM7651H |
| 043 | 282023-2 | Slangklem 14Mm Sp7650.4R |
| 044 | 422980-4 | Slang 10x100mm PM001G |
| 045 | 282023-2 | Slangklem 14Mm Sp7650.4R |
| 046 | 122E16-6 | Kniestuk PM001G |
| 046C10 | 413M62-1 | Filter PM001G |

| Nr. | Part nr. | Name |
|--------|----------|----------------------------|
| 049 | 136985-5 | Klep PM001G |
| 049C10 | 213063-9 | O-Ring 10 (1,7Mm) |
| 051 | 282023-2 | Slangklem 14Mm Sp7650.4R |
| 052 | 422983-8 | Slang 10X500Mm PM001G |
| 053 | 282023-2 | Slangklem 14Mm Sp7650.4R |
| 054 | 266326-2 | Tap Schroef 4X18mm P |
| 055 | 266326-2 | Tap Schroef 4X18mm P |
| 056 | 183Y74-7 | Batterijhuisset PM001G |
| 056C10 | 263005-3 | Rubber Pen 6 AC320H P |
| 057 | 632P65-6 | Controleunit GA-40V serie |
| 060 | 183Y74-7 | Batterijhuisset PM001G |
| 060C10 | 263005-3 | Rubber Pen 6 AC320H P |
| 061 | 266326-2 | Tap Schroef 4X18mm P |
| 062 | 413M52-4 | Controllerhuis PM001G |
| 063 | 620K75-5 | Controller PM001G |
| 065 | 266326-2 | Tap Schroef 4X18mm P |
| 066 | 413M43-5 | Kniehouder PM001G |
| 067 | 266326-2 | Tap Schroef 4X18mm P |
| 068 | 413M58-2 | Klem PM001G |
| 069 | 413G61-7 | Achterkap UB002C |
| 070 | 413G72-2 | Waaiergeleider UB002C |
| 072 | 252286-4 | Moer M5X8mm DUB184 |
| 073 | 240177-1 | Waaier 110Mm Dub362 A |
| 074 | 413G67-5 | Motorhuiskap UB002C |
| 075 | 266130-9 | Tapschroef 3X16 A |
| 076 | 210040-2 | Kogellager 698LLu |
| 077 | 519639-3 | Anker UB001C |
| 078 | 210022-4 | KOGELLAGER 626DDW |
| 079 | 629C09-7 | Veld PM001G |
| 095 | 231240-1 | Drukveer 7 |
| 095 | 413M44-3 | Motorhuis PM001G |
| 096 | 413M55-8 | Vastzethendel PM001G |
| 096 | 422877-7 | Stootkussen UB002C |
| 097 | 266130-9 | Tapschroef 3X16 A |
| 097 | 413M51-6 | Bocht PM001G |
| 099 | 183X87-2 | Gashendel Assy PM001G |
| 099 | 424721-4 | Pakkingring 115Mm Dub362 |
| 099C10 | 252103-8 | Zeskant Borgmoer M5X8 A |
| 099C10 | 422879-3 | Doorvoer UB002C |
| 104 | 265C61-7 | Vleugelbout M5x35mm UB002C |
| 104 | 413G64-1 | Afdekkap UB002C |
| 105 | 266130-9 | Tapschroef 3X16 A |
| 105 | 620L36-1 | Circuit cpl PM001G |
| 106 | 256938-9 | As 5mm PM001G |
| 106 | 620L35-3 | Schakelcircuit PM001G |
| 106C10 | 136982-1 | Schakelplaat PM001G |

| Nr. | Part nr. | Name |
|--------|----------|-------------------------------|
| 106C10 | 961011-9 | Stopring E-4 |
| 106C20 | 266326-2 | Tap Schroef 4X18mm P |
| 106C20 | 266490-9 | Parker Ck 2X6Mm DDF483 P |
| 107 | 136912-2 | Bovenhuis PM001G |
| 107 | 651492-2 | Schakelaar UR002/3G |
| 108 | 413G68-3 | Schakelhendel UB002C |
| 108 | 8030S0-0 | Label XGT UB001G |
| 109 | 687260-7 | Klemstrip 4350T |
| 109 | 8587F3-0 | Naamplaat PM001G |
| 110 | 266326-2 | Tap Schroef 4X18mm P |
| 110 | 8587G1-1 | Label serienr. PM001G |
| 111 | 183X87-2 | Gashendel Assy PM001G |
| 111 | 413M54-0 | Voorhuis blk DCL283F, DCL284F |
| 111C10 | 252103-8 | Zeskant Borgmoer M5X8 A |
| 112 | 266326-2 | Tap Schroef 4X18mm P |
| 113 | 699220-7 | Kabelset PM001G |
| 114 | 162B56-4 | Schakelpijp UB002C |
| 115 | 281040-9 | Slangklem 110mm PM001G |
| 116 | 413M50-8 | Flexibelepijp 100 PM001G |
| 117 | 122F35-8 | Slangklem 110mm PM001G |
| 118 | 266007-8 | Tapschroef Pt3X10 A |
| 119 | 453505-3 | Afdekkap Sp7650 |
| 120 | 213686-3 | O-Ring 12Mm Sp7650 |
| 121 | 268288-0 | Pin 5.5Mm Sp7650 |
| 122 | 234244-2 | Drukveer 3Mm Sp7650 |
| 123 | 282023-2 | Slangklem 14Mm Sp7650.4R |
| 124 | 422984-6 | Slang 10X750Mm PM001G |
| 125 | 282023-2 | Slangklem 14Mm Sp7650.4R |
| 126 | 122D53-4 | Kraan assy B PM001G |
| 126C10 | 266326-2 | Tap Schroef 4X18mm P |
| 126C20 | 457675-0 | Kraanhendel PM7651H |
| 127 | 413M66-3 | Adapter |
| 128 | 266045-0 | Tapschroef Pt4X20 A |
| 129 | 213437-4 | O-Ring 28 |
| 130 | 413M59-0 | Bus 23mm PM001G |
| 131 | 327A93-1 | Spuitmond 4,5mm |
| 132 | 213647-3 | O-Ring 9Mm Sp7650* |
| 133 | 141M72-5 | Spuitmond adapter |
| 133C10 | 898280-8 | Label indicatie PM001G |
| 134 | 911228-4 | Schroef 5X20 |
| 135 | 281040-9 | Slangklem 110mm PM001G |
| 136 | 632L49-0 | Schakelaar DUC254Z |
| 137 | 233101-1 | Drukveer 4 |
| 138 | 413M49-3 | Schakelknop PM001G |
| 139 | 162B60-3 | Klemring B UB002C |

Model No.PM001G CORDLESS BACKPACK MIST BLOWER



| Nr. | Part nr. | Name |
|--------|----------|-------------------------------|
| 001 | 162C47-1 | Band R PM001G |
| 002 | 162C46-3 | Band L PM001G |
| 003 | 961011-9 | Stopring E-4 |
| 004 | 141764-8 | Tank cpl PM001G |
| 005 | 413M64-7 | Tankzeef PM001G |
| 006 | 413M65-5 | Vin PM001G |
| 007 | 266326-2 | Tap Schroef 4X18mm P |
| 009 | 136980-5 | Tank assy PM001G |
| 009C10 | 422978-1 | Klepcontroller PM001G |
| 009C20 | 256A28-4 | Stang 5 UB002C |
| 010 | 252274-1 | Tapschroef 4x18mm PDC1200 |
| 011 | 162B58-0 | Stootkussen UB002C |
| 012 | 922218-2 | Inbusbout Ck M5X14Mm DCU180 P |
| 013 | 327A95-7 | Buizenframe A PM001G |
| 014 | 265A08-9 | Schroef M5x20mm PM001G |
| 015 | 327A96-5 | Buizenframe B PM001G |
| 019 | 413K11-6 | Rubber klem UB002C |
| 020 | 266326-2 | Tap Schroef 4X18mm P |
| 021 | 422977-3 | Voet rubber PM001G |
| 026 | 183X85-6 | Behuizingset PM001G |
| 027 | 266326-2 | Tap Schroef 4X18mm P |
| 028 | 141M69-4 | Onderhuis cpl B PM001G |
| 028C10 | 8066X9-2 | Waarschuwingslabel PM001G |
| 029 | 922218-2 | Inbusbout Ck M5X14Mm DCU180 P |
| 030 | 687051-6 | Klemstrip * |
| 031 | 687124-5 | Klemstrip 9555Nb/Bo3711 A |
| 032 | 266326-2 | Tap Schroef 4X18mm P |
| 033 | 282023-2 | Slangklem 14Mm Sp7650.4R |
| 034 | 422981-2 | Slang 10x45mm PM001G |
| 035 | 282023-2 | Slangklem 14Mm Sp7650.4R |
| 036 | 122D52-6 | Kraan assy A PM001G |
| 036C10 | 266326-2 | Tap Schroef 4X18mm P |
| 036C20 | 457675-0 | Kraanhendel PM7651H |
| 037 | 282023-2 | Slangklem 14Mm Sp7650.4R |
| 038 | 422982-0 | Slang 10x370mm PM001G |
| 039 | 282023-2 | Slangklem 14Mm Sp7650.4R |
| 040 | 422981-2 | Slang 10x45mm PM001G |
| 041 | 282023-2 | Slangklem 14Mm Sp7650.4R |
| 042 | 122D52-6 | Kraan assy A PM001G |
| 042C10 | 266326-2 | Tap Schroef 4X18mm P |
| 042C20 | 457675-0 | Kraanhendel PM7651H |
| 043 | 282023-2 | Slangklem 14Mm Sp7650.4R |
| 044 | 422980-4 | Slang 10x100mm PM001G |
| 045 | 282023-2 | Slangklem 14Mm Sp7650.4R |
| 046 | 122E16-6 | Kniestuk PM001G |
| 046C10 | 413M62-1 | Filter PM001G |

| Nr. | Part nr. | Name |
|--------|----------|----------------------------|
| 049 | 136985-5 | Klep PM001G |
| 049C10 | 213063-9 | O-Ring 10 (1,7Mm) |
| 051 | 282023-2 | Slangklem 14Mm Sp7650.4R |
| 052 | 422983-8 | Slang 10X500Mm PM001G |
| 053 | 282023-2 | Slangklem 14Mm Sp7650.4R |
| 054 | 266326-2 | Tap Schroef 4X18mm P |
| 055 | 266326-2 | Tap Schroef 4X18mm P |
| 056 | 183Y74-7 | Batterijhuisset PM001G |
| 056C10 | 263005-3 | Rubber Pen 6 AC320H P |
| 057 | 632P65-6 | Controleunit GA-40V serie |
| 060 | 183Y74-7 | Batterijhuisset PM001G |
| 060C10 | 263005-3 | Rubber Pen 6 AC320H P |
| 061 | 266326-2 | Tap Schroef 4X18mm P |
| 062 | 413M52-4 | Controllerhuis PM001G |
| 063 | 620K75-5 | Controller PM001G |
| 065 | 266326-2 | Tap Schroef 4X18mm P |
| 066 | 413M43-5 | Kniehouder PM001G |
| 067 | 266326-2 | Tap Schroef 4X18mm P |
| 068 | 413M58-2 | Klem PM001G |
| 069 | 413G61-7 | Achterkap UB002C |
| 070 | 413G72-2 | Waaiergeleider UB002C |
| 072 | 252286-4 | Moer M5X8mm DUB184 |
| 073 | 240177-1 | Waaier 110Mm Dub362 A |
| 074 | 413G67-5 | Motorhuiskap UB002C |
| 075 | 266130-9 | Tapschroef 3X16 A |
| 076 | 210040-2 | Kogellager 698LLu |
| 077 | 519639-3 | Anker UB001C |
| 078 | 210022-4 | KOGELLAGER 626DDW |
| 079 | 629C09-7 | Veld PM001G |
| 095 | 231240-1 | Drukveer 7 |
| 095 | 413M44-3 | Motorhuis PM001G |
| 096 | 413M55-8 | Vastzethendel PM001G |
| 096 | 422877-7 | Stootkussen UB002C |
| 097 | 266130-9 | Tapschroef 3X16 A |
| 097 | 413M51-6 | Bocht PM001G |
| 099 | 183X87-2 | Gashendel Assy PM001G |
| 099 | 424721-4 | Pakkingring 115Mm Dub362 |
| 099C10 | 252103-8 | Zeskant Borgmoer M5X8 A |
| 099C10 | 422879-3 | Doorvoer UB002C |
| 104 | 265C61-7 | Vleugelbout M5x35mm UB002C |
| 104 | 413G64-1 | Afdekkap UB002C |
| 105 | 266130-9 | Tapschroef 3X16 A |
| 105 | 620L36-1 | Circuit cpl PM001G |
| 106 | 256938-9 | As 5mm PM001G |
| 106 | 620L35-3 | Schakelcircuit PM001G |
| 106C10 | 136982-1 | Schakelplaat PM001G |

| Nr. | Part nr. | Name |
|--------|----------|-------------------------------|
| 106C10 | 961011-9 | Stopring E-4 |
| 106C20 | 266326-2 | Tap Schroef 4X18mm P |
| 106C20 | 266490-9 | Parker Ck 2X6Mm DDF483 P |
| 107 | 136912-2 | Bovenhuis PM001G |
| 107 | 651492-2 | Schakelaar UR002/3G |
| 108 | 413G68-3 | Schakelhendel UB002C |
| 108 | 8030S0-0 | Label XGT UB001G |
| 109 | 687260-7 | Klemstrip 4350T |
| 109 | 8587F3-0 | Naamplaat PM001G |
| 110 | 266326-2 | Tap Schroef 4X18mm P |
| 110 | 8587G1-1 | Label serienr. PM001G |
| 111 | 183X87-2 | Gashendel Assy PM001G |
| 111 | 413M54-0 | Voorhuis blk DCL283F, DCL284F |
| 111C10 | 252103-8 | Zeskant Borgmoer M5X8 A |
| 112 | 266326-2 | Tap Schroef 4X18mm P |
| 113 | 699220-7 | Kabelset PM001G |
| 114 | 162B56-4 | Schakelpijp UB002C |
| 115 | 281040-9 | Slangklem 110mm PM001G |
| 116 | 413M50-8 | Flexibelepijp 100 PM001G |
| 117 | 122F35-8 | Slangklem 110mm PM001G |
| 118 | 266007-8 | Tapschroef Pt3X10 A |
| 119 | 453505-3 | Afdekkap Sp7650 |
| 120 | 213686-3 | O-Ring 12Mm Sp7650 |
| 121 | 268288-0 | Pin 5.5Mm Sp7650 |
| 122 | 234244-2 | Drukveer 3Mm Sp7650 |
| 123 | 282023-2 | Slangklem 14Mm Sp7650.4R |
| 124 | 422984-6 | Slang 10X750Mm PM001G |
| 125 | 282023-2 | Slangklem 14Mm Sp7650.4R |
| 126 | 122D53-4 | Kraan assy B PM001G |
| 126C10 | 266326-2 | Tap Schroef 4X18mm P |
| 126C20 | 457675-0 | Kraanhendel PM7651H |
| 127 | 413M66-3 | Adapter |
| 128 | 266045-0 | Tapschroef Pt4X20 A |
| 129 | 213437-4 | O-Ring 28 |
| 130 | 413M59-0 | Bus 23mm PM001G |
| 131 | 327A93-1 | Spuitmond 4,5mm |
| 132 | 213647-3 | O-Ring 9Mm Sp7650* |
| 133 | 141M72-5 | Spuitmond adapter |
| 133C10 | 898280-8 | Label indicatie PM001G |
| 134 | 911228-4 | Schroef 5X20 |
| 135 | 281040-9 | Slangklem 110mm PM001G |
| 136 | 632L49-0 | Schakelaar DUC254Z |
| 137 | 233101-1 | Drukveer 4 |
| 138 | 413M49-3 | Schakelknop PM001G |
| 139 | 162B60-3 | Klemring B UB002C |